

Integrated Silicon Pressure Sensor On-Chip Signal Conditioned, Temperature Compensated and Calibrated

The MPX5100 series piezoresistive transducer is a state-of-the-art monolithic silicon pressure sensor designed for a wide range of applications, but particularly those employing a microcontroller or microprocessor with A/D inputs. This patented, single element transducer combines advanced micromachining techniques, thin-film metallization, and bipolar processing to provide an accurate, high level analog output signal that is proportional to the applied pressure.

Features

- 2.5% Maximum Error over 0° to 85°C
- Ideally suited for Microprocessor or Microcontroller-Based Systems
- Patented Silicon Shear Stress Strain Gauge
- Available in Absolute, Differential and Gauge Configurations
- Durable Epoxy Unibody Element
- Easy-to-Use Chip Carrier Option

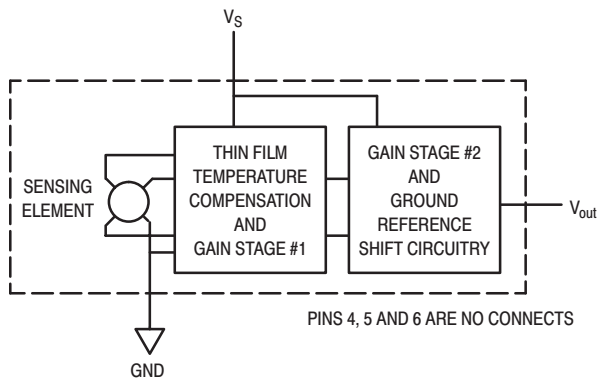
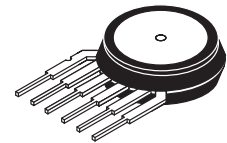


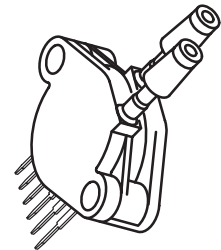
Figure 1. Fully Integrated Pressure Sensor Schematic

MPX5100 SERIES

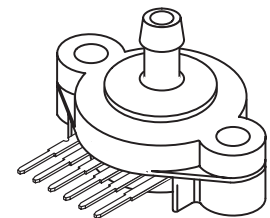
**INTEGRATED PRESSURE
SENSOR**
0 to 100 kPa (0 to 14.5 psi)
15 to 115 kPa
(2.18 to 16.68 psi)
0.2 to 4.7 Volts Output



MPX5100D
CASE 867



MPX5100DP
CASE 867C



MPX5100GSX
CASE 867F

| PIN NUMBER | | | |
|------------|------------------|---|-----|
| 1 | V _{out} | 4 | N/C |
| 2 | Gnd | 5 | N/C |
| 3 | V _S | 6 | N/C |

NOTE: Pins 4, 5, and 6 are internal device connections. Do not connect to external circuitry or ground. Pin 1 is noted by the notch in the lead.

MPX5100 SERIES

MAXIMUM RATINGS(NOTE)

| Parametrics | Symbol | Value | Unit |
|----------------------------|------------------|---------------|------|
| Maximum Pressure (P1 > P2) | P _{max} | 400 | kPa |
| Storage Temperature | T _{stg} | -40° to +125° | °C |
| Operating Temperature | T _A | -40° to +125° | °C |

NOTE: Exposure beyond the specified limits may cause permanent damage or degradation to the device.

OPERATING CHARACTERISTICS (V_S = 5.0 Vdc, T_A = 25°C unless otherwise noted, P1 > P2. Decoupling circuit shown in Figure 4 required to meet electrical specifications.)

| Characteristic | | Symbol | Min | Typ | Max | Unit |
|--|---|------------------|----------------|----------------|----------------|-------------------|
| Pressure Range ⁽¹⁾ | Gauge, Differential: MPX5100D Absolute: MPX5100A | P _{OP} | 0 15 | — — | 100 115 | kPa |
| Supply Voltage ⁽²⁾ | | V _S | 4.75 | 5.0 | 5.25 | Vdc |
| Supply Current | | I _o | — | 7.0 | 10 | mAdc |
| Minimum Pressure Offset ⁽³⁾ @ V _S = 5.0 Volts | (0 to 85°C) | V _{off} | 0.088 | 0.20 | 0.313 | Vdc |
| Full Scale Output ⁽⁴⁾ @ V _S = 5.0 Volts | Differential and Absolute (0 to 85°C) Vacuum ⁽¹⁰⁾ | V _{FSO} | 4.587 3.688 | 4.700 3.800 | 4.813 3.913 | Vdc |
| Full Scale Span ⁽⁵⁾ @ V _S = 5.0 Volts | Differential and Absolute (0 to 85°C) Vacuum ⁽¹⁰⁾ | V _{FSS} | — — | 4.500 3.600 | — — | Vdc |
| Accuracy ⁽⁶⁾ | | — | — | — | ±2.5 | %V _{FSS} |
| Sensitivity | | V/P | — | 45 | — | mV/kPa |
| Response Time ⁽⁷⁾ | | t _R | — | 1.0 | — | ms |
| Output Source Current at Full Scale Output | | I _{o+} | — | 0.1 | — | mAdc |
| Warm-Up Time ⁽⁸⁾ | | — | — | 20 | — | ms |
| Offset Stability ⁽⁹⁾ | | — | — | ±0.5 | — | %V _{FSS} |

NOTES:

- 1.0kPa (kiloPascal) equals 0.145 psi.
- Device is ratiometric within this specified excitation range.
- Offset (V_{off}) is defined as the output voltage at the minimum rated pressure.
- Full Scale Output (V_{FSO}) is defined as the output voltage at the maximum or full rated pressure.
- Full Scale Span (V_{FSS}) is defined as the algebraic difference between the output voltage at full rated pressure and the output voltage at the minimum rated pressure.
- Accuracy (error budget) consists of the following:
 - Linearity: Output deviation from a straight line relationship with pressure over the specified pressure range.
 - Temperature Hysteresis: Output deviation at any temperature within the operating temperature range, after the temperature is cycled to and from the minimum or maximum operating temperature points, with zero differential pressure applied.
 - Pressure Hysteresis: Output deviation at any pressure within the specified range, when this pressure is cycled to and from minimum or maximum rated pressure at 25°C.
 - TcSpan: Output deviation over the temperature range of 0° to 85°C, relative to 25°C.
 - TcOffset: Output deviation with minimum pressure applied, over the temperature range of 0° to 85°C, relative to 25°C.
 - Variation from Nominal: The variation from nominal values, for Offset or Full Scale Span, as a percent of V_{FSS} at 25°C.
- Response Time is defined as the time for the incremental change in the output to go from 10% to 90% of its final value when subjected to a specified step change in pressure.
- Warm-up Time is defined as the time required for the product to meet the specified output voltage after the Pressure has been stabilized.
- Offset Stability is the product's output deviation when subjected to 1000 hours of Pulsed Pressure, Temperature Cycling with Bias Test.

MECHANICAL CHARACTERISTICS

| Characteristics | Typ | Unit |
|----------------------------------|-----|-------|
| Weight, Basic Element (Case 867) | 4.0 | grams |

ON-CHIP TEMPERATURE COMPENSATION, CALIBRATION and SIGNAL CONDITIONING

Figure 2 shows the sensor output signal relative to pressure input. Typical, minimum, and maximum output curves are shown for operation over a temperature range of 0° to 85°C using the decoupling circuit shown in Figure 4. The output will saturate outside of the specified pressure range.

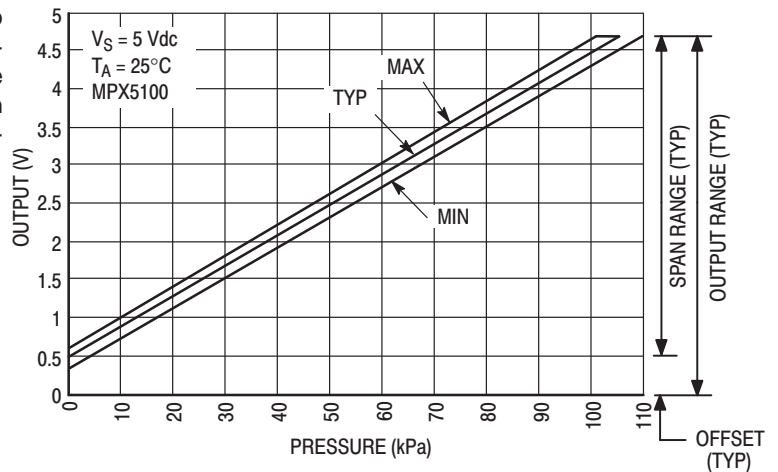


Figure 2. Output versus Pressure Differential

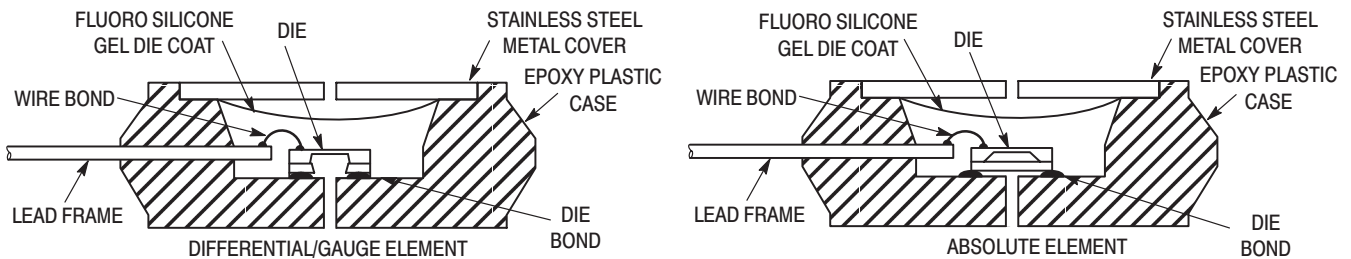


Figure 3. Cross-Sectional Diagrams (Not to Scale)

Figure 3 illustrates both the Differential/Gauge and the Absolute Sensing Chip in the basic chip carrier (Case 867). A fluorosilicone gel isolates the die surface and wire bonds from the environment, while allowing the pressure signal to be transmitted to the sensor diaphragm.

The MPX5100 series pressure sensor operating characteristics, and internal reliability and qualification tests are based on use of dry air as the pressure media. Media,

other than dry air, may have adverse effects on sensor performance and long-term reliability. Contact the factory for information regarding media compatibility in your application.

Figure 4 shows the recommended decoupling circuit for interfacing the output of the integrated sensor to the A/D input of a microprocessor or microcontroller. Proper decoupling of the power supply is recommended.

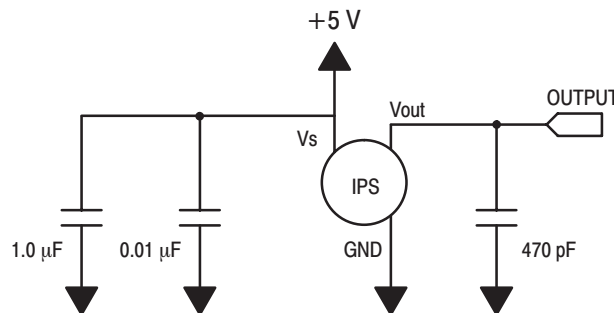


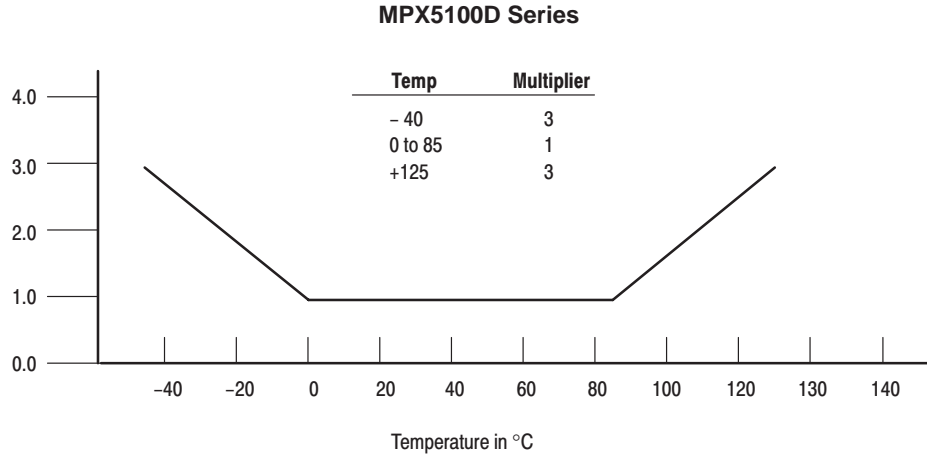
Figure 4. Recommended power supply decoupling and output filtering. For additional output filtering, please refer to Application Note AN1646.

MPX5100 SERIES

Transfer Function (MPX5100D, MPX5100G)

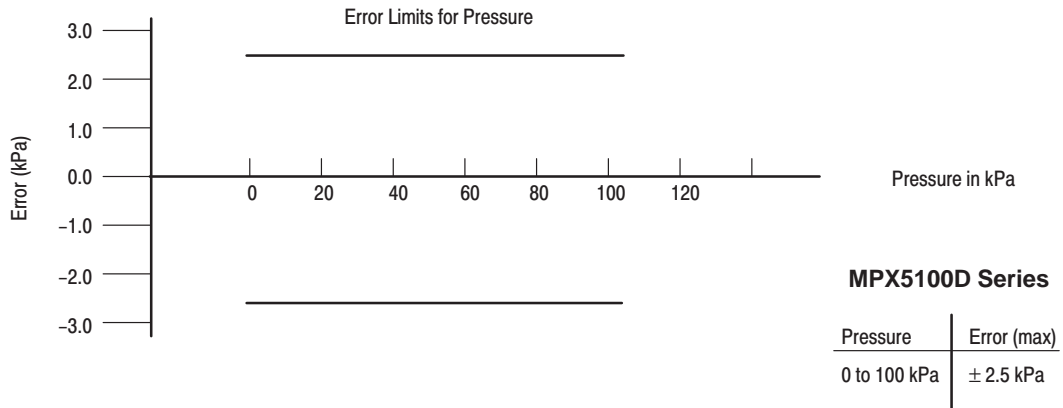
Nominal Transfer Value: $V_{out} = V_S (P \times 0.009 + 0.04)$
 \pm (Pressure Error x Temp. Mult. x 0.009 x V_S)
 $V_S = 5.0 \text{ V} \pm 5\% \text{ P kPa}$

Temperature Error Multiplier



NOTE: The Temperature Multiplier is a linear response from 0° to -40°C and from 85° to 125°C.

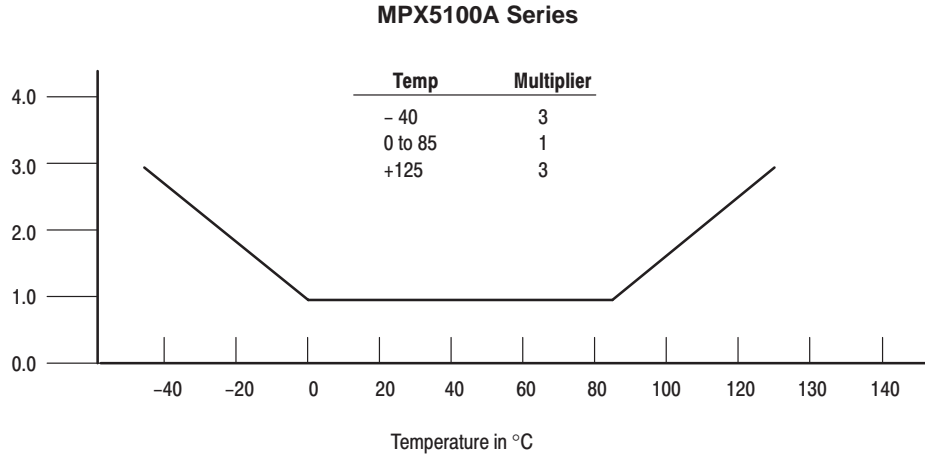
Pressure Error Band



Transfer Function (MPX5100A)

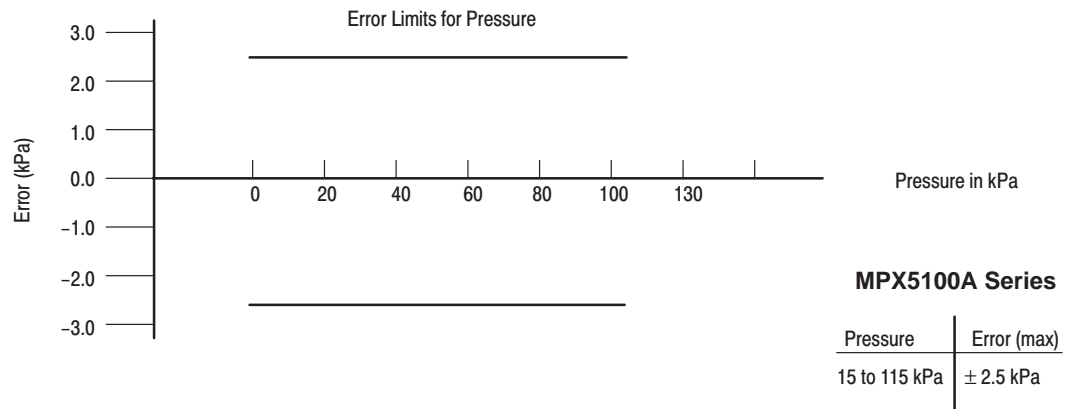
Nominal Transfer Value: $V_{out} = V_S (P \times 0.009 - 0.095)$
 $\pm (Pressure\ Error \times Temp.\ Mult. \times 0.009 \times V_S)$
 $V_S = 5.0\ V \pm 5\% P\ kPa$

Temperature Error Multiplier



NOTE: The Temperature Multiplier is a linear response from 0° to -40°C and from 85° to 125°C.

Pressure Error Band



MPX5100 SERIES

PRESSURE (P1)/VACUUM (P2) SIDE IDENTIFICATION TABLE

Motorola designates the two sides of the pressure sensor as the Pressure (P1) side and the Vacuum (P2) side. The Pressure (P1) side is the side containing fluoro silicone gel which protects the die from harsh media. The Motorola MPX

pressure sensor is designed to operate with positive differential pressure applied, $P1 > P2$.

The Pressure (P1) side may be identified by using the Table below:

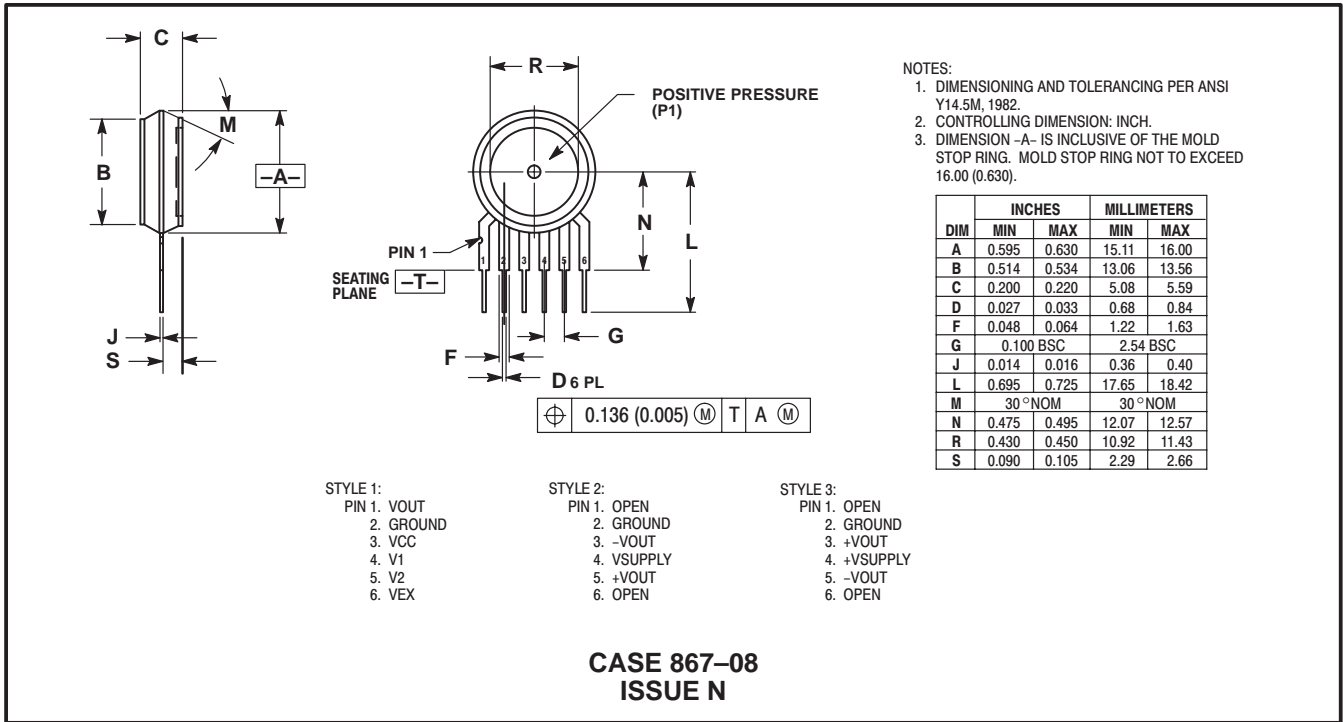
| Part Number | Case Type | Pressure (P1) Side Identifier |
|----------------------|-----------|-------------------------------|
| MPX5100A, MPX5100D | 867 | Stainless Steel Cap |
| MPX5100DP | 867C | Side with Part Marking |
| MPX5100AP, MPX5100GP | 867B | Side with Port Attached |
| MPX5100GSX | 867F | Side with Port Attached |

ORDERING INFORMATION:

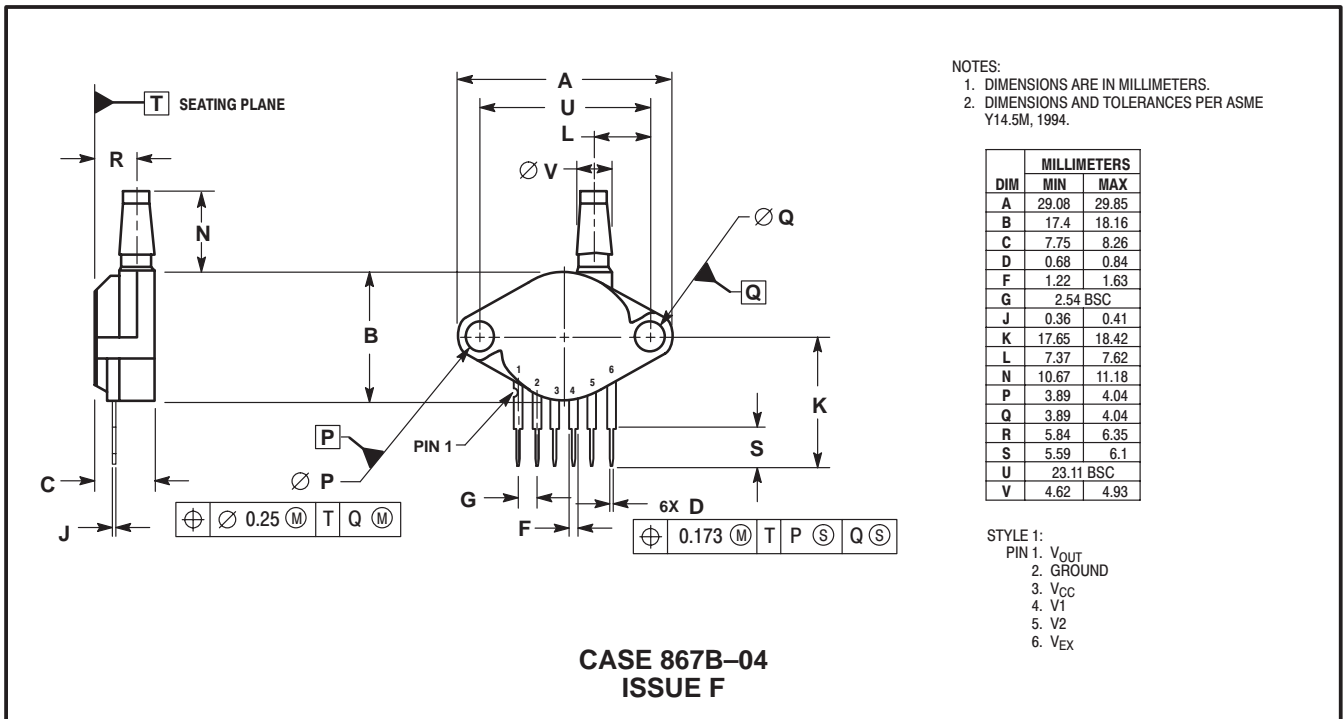
The MPX5100 pressure sensor is available in absolute, differential, and gauge configurations. Devices are available in the basic element package or with pressure port fittings that provide printed circuit board mounting ease and barbed hose pressure connections.

| Device Name | Options | Case Type | MPX Series | |
|-----------------|-------------------------|-----------|--------------|----------------|
| | | | Order Number | Device Marking |
| Basic Element | Absolute | 867 | MPX5100A | MPX5100A |
| | Differential | 867 | MPX5100D | MPX5100D |
| Ported Elements | Differential Dual Ports | 867C | MPX5100DP | MPX5100DP |
| | Absolute, Single Port | 867B | MPX5100AP | MPX5100AP |
| | Gauge, Single Port | 867B | MPX5100GP | MPX5100GP |
| | Gauge, Axial PC Mount | 867F | MPX5100GSX | MPX5100D |

PACKAGE DIMENSIONS

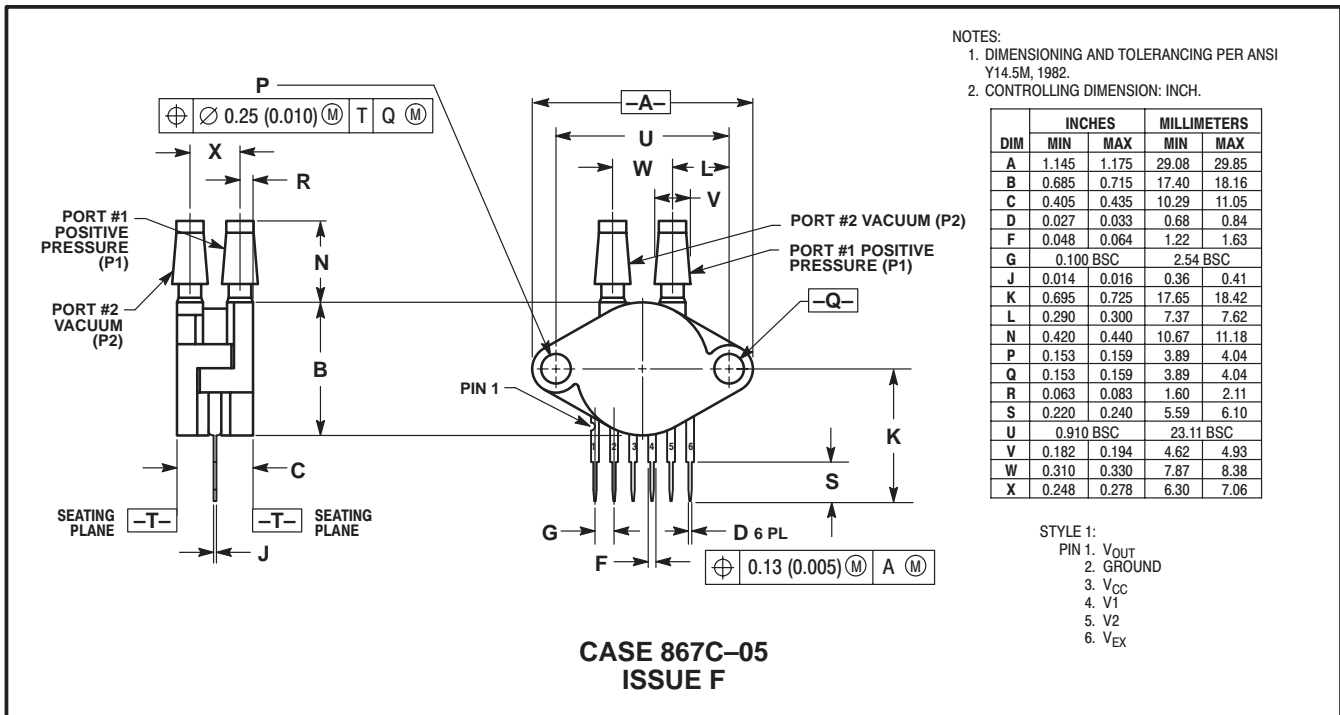


BASIC ELEMENT

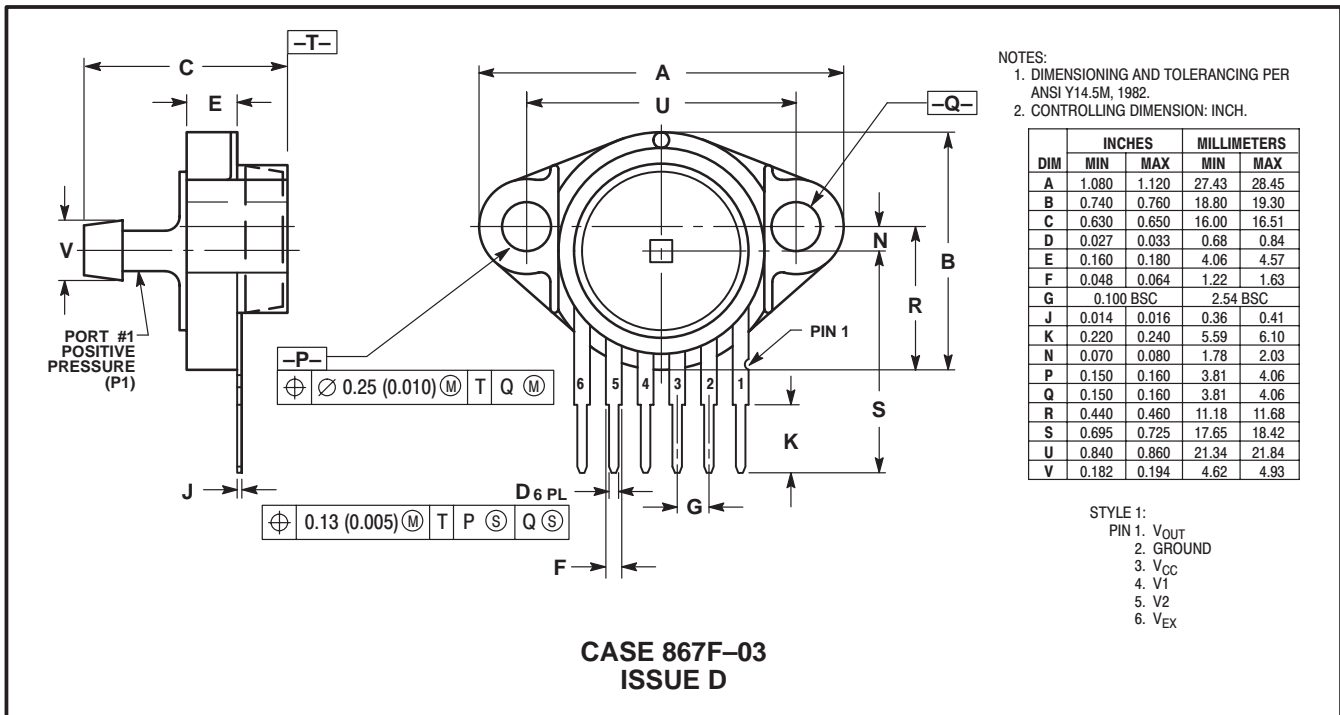


PRESSURE SIDE PORTED (AP, GP)


PACKAGE DIMENSIONS—CONTINUED



PRESSURE AND VACUUM SIDES PORTED (DP)



PRESSURE SIDE AXIAL PORT (GSX)

Motorola reserves the right to make changes without further notice to any products herein. Motorola makes no warranty, representation or guarantee regarding the suitability of its products for any particular purpose, nor does Motorola assume any liability arising out of the application or use of any product or circuit, and specifically disclaims any and all liability, including without limitation consequential or incidental damages. "Typical" parameters which may be provided in Motorola data sheets and/or specifications can and do vary in different applications and actual performance may vary over time. All operating parameters, including "Typicals" must be validated for each customer application by customer's technical experts. Motorola does not convey any license under its patent rights nor the rights of others. Motorola products are not designed, intended, or authorized for use as components in systems intended for surgical implant into the body, or other applications intended to support or sustain life, or for any other application in which the failure of the Motorola product could create a situation where personal injury or death may occur. Should Buyer purchase or use Motorola products for any such unintended or unauthorized application, Buyer shall indemnify and hold Motorola and its officers, employees, subsidiaries, affiliates, and distributors harmless against all claims, costs, damages, and expenses, and reasonable attorney fees arising out of, directly or indirectly, any claim of personal injury or death associated with such unintended or unauthorized use, even if such claim alleges that Motorola was negligent regarding the design or manufacture of the part. Motorola and  are registered trademarks of Motorola, Inc. Motorola, Inc. is an Equal Opportunity/Affirmative Action Employer.

How to reach us:

USA/EUROPE/Locations Not Listed: Motorola Literature Distribution;
P.O. Box 5405, Denver, Colorado 80217. 1-303-675-2140 or 1-800-441-2447

JAPAN: Motorola Japan Ltd.; SPS, Technical Information Center, 3-20-1,
Minami-Azabu, Minato-ku, Tokyo 106-8573 Japan. 81-3-3440-3569

Technical Information Center: 1-800-521-6274

ASIA/PACIFIC: Motorola Semiconductors H.K. Ltd.; Silicon Harbour Centre,
2, Dai King Street, Tai Po Industrial Estate, Tai Po, N.T., Hong Kong.
852-26668334

HOME PAGE: <http://www.motorola.com/semiconductors/>

**MOTOROLA****MPX5100/D**